

Announcements

- Reading

- Today: 7.6 (up to 7.6.3)

- Projects

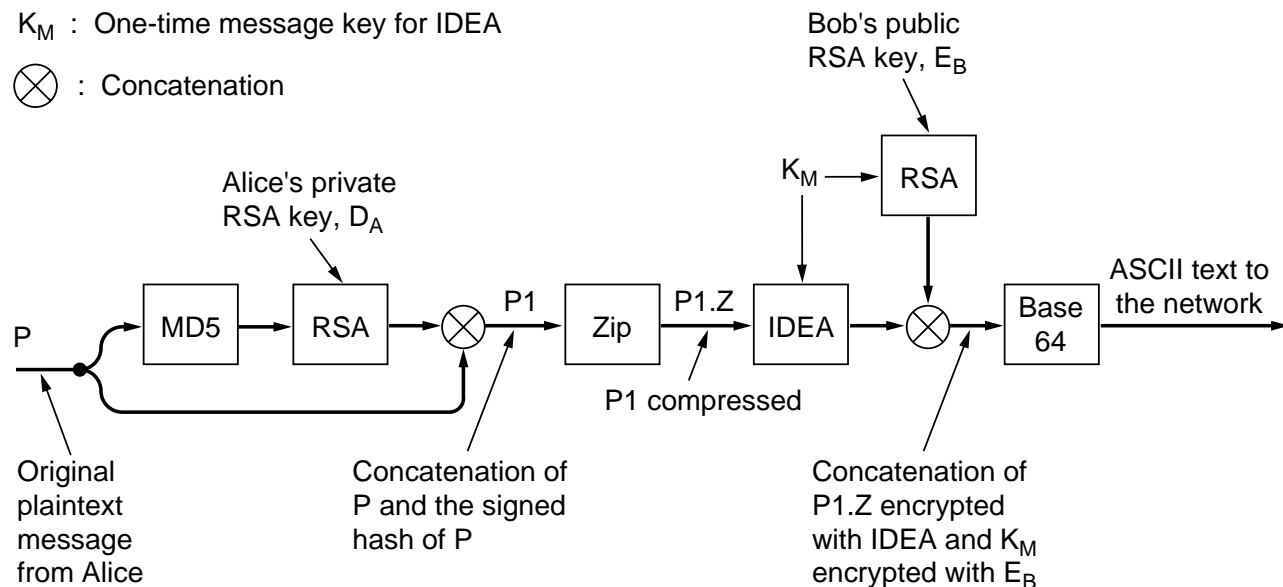
- must submit project tar file by Wed May 14 at 9:00 AM
- project demos will be Wed 5/14
 - must prepare a short/informal report that describes what has been implemented (and by whom)
- project demo signups were taken

Transferring Messages

- SMTP Agents listen on TCP port 25
- Protocol consists of a series of 4 character commands
 - HELO: exchange identity
 - MAIL FROM: indicate origin of mail
 - RCPT TO: destination for mail
 - DATA: start of mail message (envelop and body)
 - QUIT: end of mail message
- Email gateways
 - Still many other mail systems out there
 - may use other formats
 - May want only a limited number of “public” mail servers
 - provides application level firewalls
 - hides interior topology of network

Pretty Good Privacy: PGP

- Developed by a single person
 - uses RSA, IDEA, and MD5
- Provides: privacy, compression, and digital signatures
- Has a collection of key servers for public key registration
- Uses three different key lengths (384, 512, and 1024 bits)



From: *Computer Networks*, 3rd Ed. by Andrew S. Tanenbaum, (c)1996 Prentice Hall.

Privacy Enhanced Email (PEM)

- Internet Standard
- Uses MD5 for hashing and DES for encryption
- Key Management:
 - collection of certificate authorities
 - authorities are certified by Policy Certificate Authorities
 - define policies to be followed by certificate authorities
 - PCAs are certified by Internet Policy Registration Authority

News

- Large Collection of newsgroups
 - currently a hierarhal namespace (used to be rather flat)
 - can be moderated: must be approved before being posted
- Messages
 - have a unique id
 - are associated with one or more newsgroups
 - contain a superset of RFC822 fields
- Transport of news
 - a site a list of one or more sites it gets is newsfeed from
 - a site periodically polls its newsfeeds for news
 - newsfeeds can also push new news out
 - UUCP: Unix-to-Unix CoPy
 - historical path using dialup modems
 - NNTP: Net News Transfer Protocol (TCPport 119)

NNTP

- Provides end-users with news (ala POP for email)
 - LIST and NEWSGROUPS commands
 - GROUP: list all articles in a group
 - NEWNEWS: all news since a specific time
 - ARTICLE: give me a specific article
 - note that this is done by id, not local number
 - POST: post a news article
- Supports moving news between servers
 - all commands from above plus..
 - IHAVE: supports flooding articles around the net
- Performance Problem
 - almost a gigabyte per day of news
 - protocol is stop and wait (limited for round-trip latency)

Naming in the World Wide Web

- Uniform resource locator
 - a single namespace for all objects on the Internet
- `<protocol>://<dns name>:<port>/<page reference>`
 - protocol: http, ftp, gopher, wais, file, news
 - port: optional - defaults to well known port for protocol
 - dns name: often an alias for a host name
 - also can be an IP address
 - use of `www.*` is a convention for naming an org's web host but there is nothing special about this name
 - page reference: usually a file path name
 - servers can define default translations
 - default file suffix (e.g. `.html`)
 - default page for a directory: `index.html`
 - `~` to expand to a user's home page