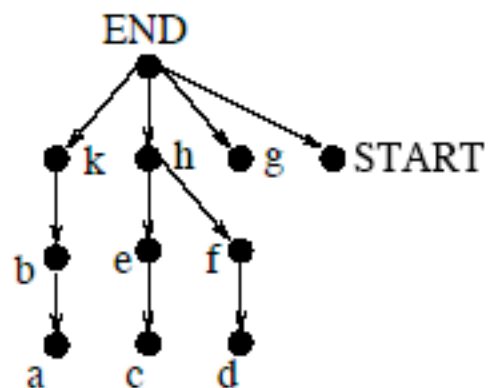
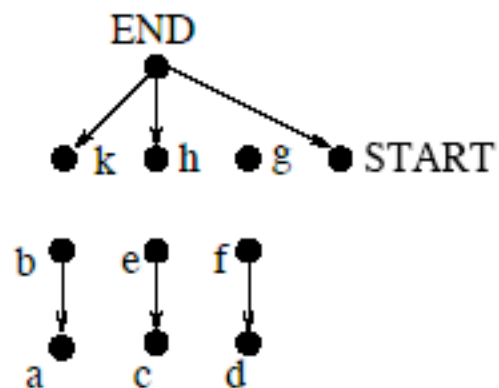


(a) Control Flow Graph



(b) Postdominator tree



(c) Loop postdominator forest

E \ V		V								
		a	b	c	d	e	f	g	h	k
START	→ g							● □		
g	→ d				● □		● □		●	
g	→ a	● □	● □							●
f	→ c			● □		● □				
e	→ d				● □		● □			
b	→ a	● □	● □							
e	→ h								□	
f	→ h								□	
b	→ k									□

● : control dependence
 □ : loop control dependence

(d) Control Dependence and Loop control dependence

Figure 1: A Program and Two Control Dependence Relations